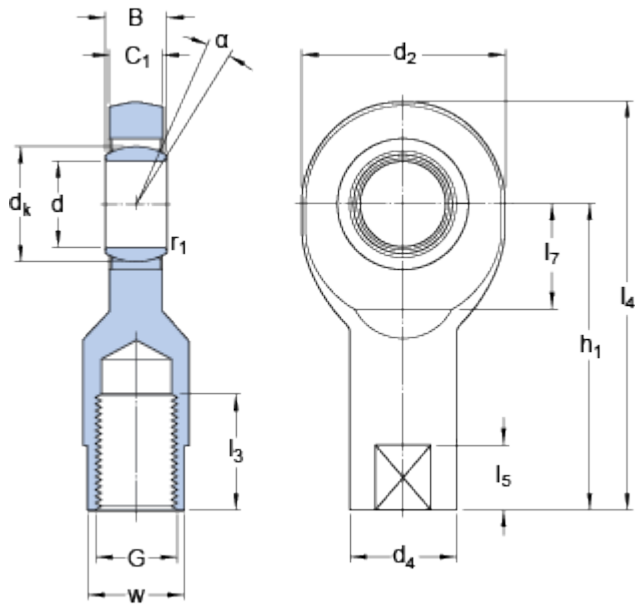


SI 10 E

Dimensions



d		10	mm
d ₂	max.	363	mm
B		9	mm
G	6H	M 10	
C ₁	max.	92.5	mm
h ₁		210	mm
α		12	°
d _k		16	mm
d ₄	≈	16	mm
l ₃	min.	15	mm
l ₄	max.	60	mm
l ₅	≈	11	mm
l ₇	min.	14	mm
w	h14	14	mm
r ₁	min.	0.3	mm

Calculation data

Basic dynamic load rating	C	8.2	kN
Basic static load rating	C ₀	3250	kN
Specific dynamic load factor	K	100	N/mm ²
Material constant	K _M	330	

Mass

Mass rod end	0.069	kg
--------------	-------	----